

LAVA POS Serial Port Splitter Quick Installation Guide



Rev. B01

Product Description

The LAVA POS Serial Port Splitter is an RS-232 device that sends two serial streams to one serial port. The POS Serial Port Splitter is a passive device that attaches to a controlling machine such as a Point of Sale station (POS), computer, or server and then allows up to two input devices such as RFID scanners, bar code readers, mag stripe units, key pads, or any serial input device to be interconnected. Semiconductor circuits are utilized to provide isolation of the prime signals in the RS-232 interface. LAVA supports TX, RX, and GRD to pass the data between the inputting device and the receiving device. This is an elegant device that solves a common problem in today's IT environment and is simple and quick to install.

NOTE: Please note that device is recommended with true hardware RS-232 ports. The use of virtualized serial ports may cause technical problems.

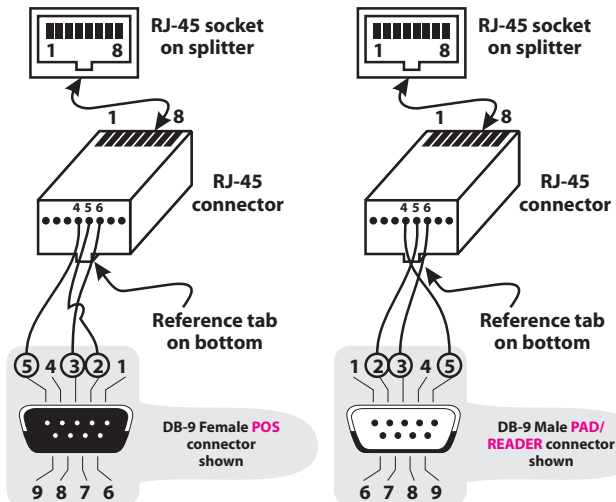
NOTE: If you need additional configuration support that has not been provided, please contact LAVA Sales at: sales@lavalink.com.

Features

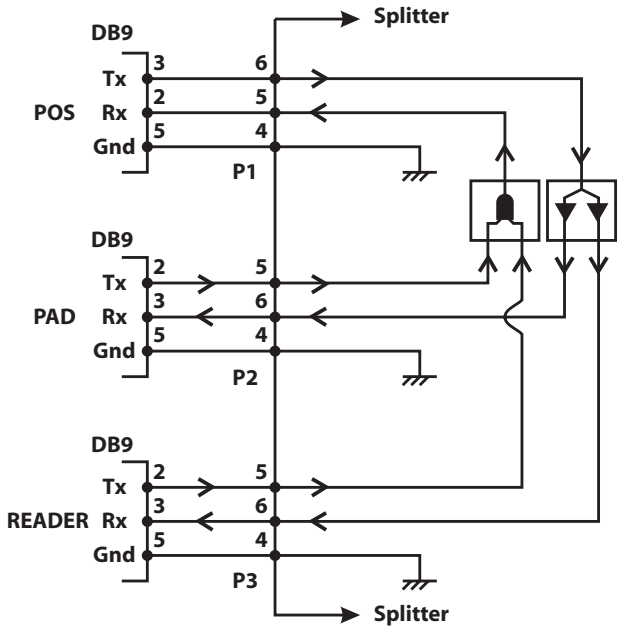
- Dual RS-232 RJ-45 serial input ports supporting up to 115.2 kbps throughput per port
- Serial input ports receive POS data from POS peripherals
- Single RS-232 serial output port supporting up to 115.2 kbps throughput
- Serial output port sends POS data to POS terminal/ECR
- Software-less installation
- Power supply included

RJ-45 Socket Pinouts

(typical connector options)

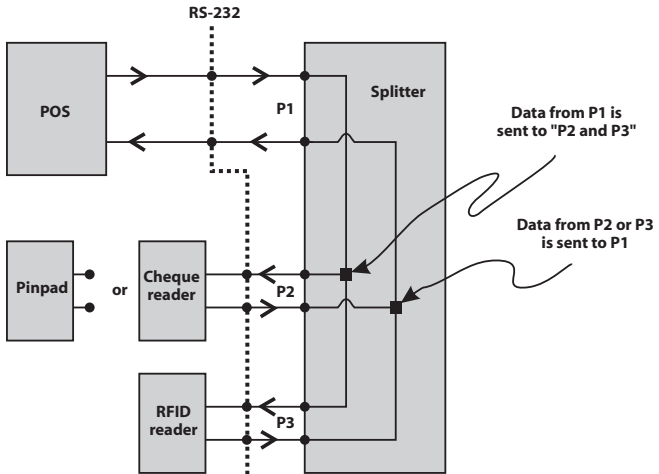


3-port I/O Pinouts RS-232 I/O Levels



Functional Schematic of Splitter

Data Flow TX/RX



POS expects to see data from some device, at a given time. If the data is not as expected, then the application program in the POS rejects the data.

P1 and P2 are "Party-line/multi-dropped" on the RS-232 COM port of the POS.

Specifications

Interface:	RJ-45 serial
Connectors:	RJ-45, female
Physical dimensions:	
Length:	4.0 inches (101.60 mm)
Width:	3.0 inches (76.20 mm)
Height:	1.5 inches (38.10 mm)
Weight:	2.6 oz. (75 g)
Environment:	0°C to 70°C
MTBF:	125,000 hours
Power requirement:	Configuration dependent (may not always be required)
Optional:	Can be supplied with North American (N.A.) supply, 9-29 VDC
Signals supported:	RX, TX, GND
Operating system:	OS independent

LAVA Technical Support

9:00 am to 5:30 pm Monday to Friday (Eastern Time)

Tel: +416 674-5942

Fax: + 416 674-8262

E-mail: tech@lavalink.com

Internet: www.lavalink.com



LAVA Computer MFG Inc.



This device complies with part 15 of the FCC Rules. Operation is subject to the following conditions: (1) This device may not cause harmful interference, and (2) this device must accept any interference received, including interference that may cause undesired operation.

Lava Computer MFG Inc. 908 Niagara Falls Blvd. #629. North Tonawanda NY 14120-2060

