



STS-3U: Simulcharge 3-port USB Hub for Samsung Tablets

Simultaneously charge and use your Samsung Galaxy Tablet with ability to add three USB accessories

PRODUCT DETAILS

The STS-3U adapter is a 3-port USB Hub providing simultaneous charging capability (SimulCharge) for select Samsung tablets. LAVA's SimulCharge technology allows the tablet to operate as a USB Host while continuously charging the battery.

The STS-3U allows up to 3 USB 2.0 accessories to be accessed by the tablet. Each USB 2.0 (A-Type) port is capable of driving additional USB Hubs to expand the systems capabilities further, within standard power limitations of the tablet power adapter.

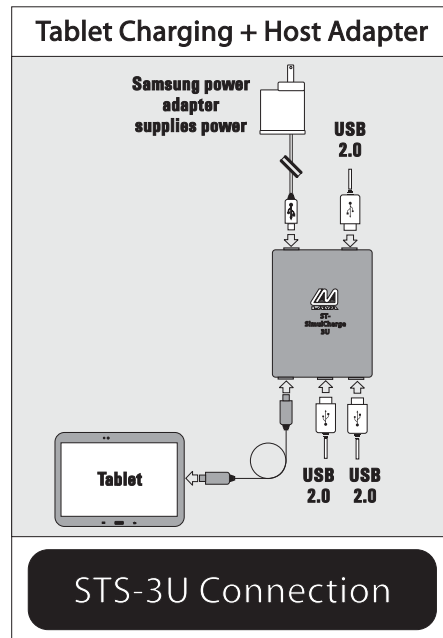
Standard USB OTG Adapters do not allow the tablet to be charged while operating with USB accessories. This intelligent adapter is designed for robust operation allowing rapid switching between SimulCharge and Charge-Only mode.

The LAVA product can be switched into Charge-Only mode to rapidly replenish the battery in the same manner as USB Charger with a Direct Charge Port (DCP).

The STS-3U can be used on its own, or as part of a third-party enclosure solution, supporting a variety of kiosk-type applications.

FEATURES

- Designed for select Samsung Tablets
- USB Host operation while charging
- 3 USB 2.0 ports
- USB-A receptacles can connect to USB Hubs
- Works with tablet's original charger
- Can operate with any 5 volt supply
- Works with external USB battery packs
- 3.3 foot (1 meter) tablet connection cable
- Convenient charge mode switch
- Charge mode status indicator lights
- USB activity light
- Enhanced charging stability
- No tablet rooting required

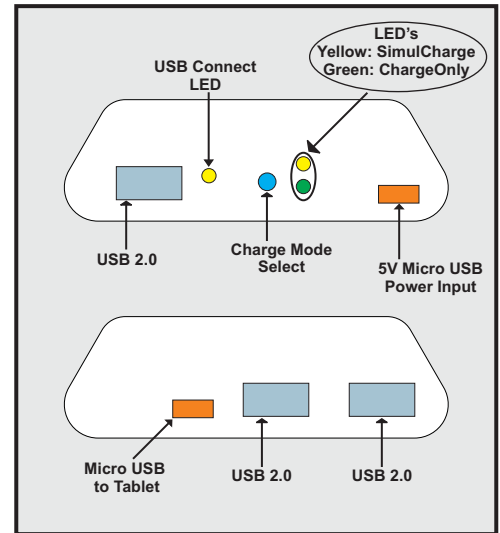


About LAVA

Headquartered in Toronto, ON, Canada, LAVA Computer MFG Inc. designs and manufactures tablet interfaces for USB and LAN, serial and parallel I/O boards, Ethernet-to-serial device servers, and USB-to-serial interfaces that are widely used in the Point of Sale, Kiosk, Gaming, Industrial Automation, Security and Access Control industries. LAVA also has engineered the LAVA IP System (LIPS), an application-specific IP interface and hardware family for IP enabling Internet of Things devices quickly and at low cost. With well over a million LAVA products built into workstations, servers, retail POS systems, and industrial computers since 1984, LAVA interfaces are trusted by resellers, distributors, OEMs and system builders in over 47 countries worldwide.

LAVA: The Source for Ports.

INPUT-OUTPUT DIAGRAM



SYSTEM REQUIREMENTS

- Samsung Galaxy Tab 4 (8.0", 10.1")
- Samsung Galaxy Tab S (8.4", 10.5")
- Samsung Galaxy Tab Pro (10.1", 12.2")
- Samsung Galaxy Note Pro (12.2")

Please see the LAVA web site for the latest compatibility list and country specific issues.

Cables

1 x Micro USB B to Micro USB B cable (3.3ft/1m)

Note: The custom 3.3ft/1m cable connects the device to the tablet. This cable may not be extended.

Ports/Indicators

- 3 x USB A port (for USB 2.0 accessories)
- 1 x Micro USB B port (Tablet connection)
- 1 x Micro USB B port (Power input)
- 1 x Push Button (Charge mode switch)
- 1 x Charge Only indicator LED
- 1 x SimulCharge indicator LED
- 1 x Tablet USB indicator LED

Dimensions/Weight

Depth: 3.3 inches (83 mm)
 Width: 3.8 inches (97 mm)
 Height: 1.7 inches (44 mm) – with standoffs
 Shipping weight: 7.1 oz (201 g)